

# TGCC1 Series Capacitor Switching Contactor

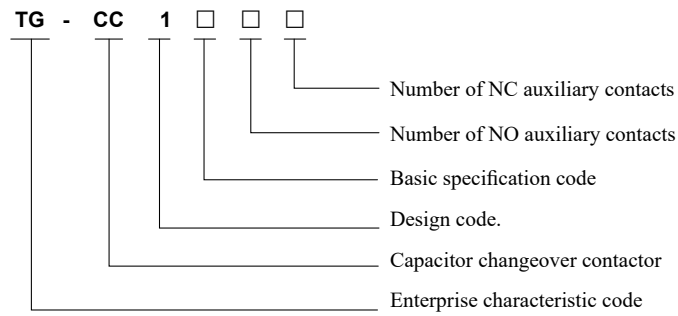
## 1 Overview

TGCC1 series capacitor switching contactor (hereinafter referred to as contactor) is mainly used in AC 50Hz (or 60Hz) power system with a rated operating voltage up to 690V and with a controllable container capacity up to 50kvar under the AC-6b use category to power on and power off the parallel capacitor for improving the power factor.

This product complies with standard IEC 60947-4-1.

## 2 Type Designation

### 2.1 Model description



### 2.2 TGCC1 capacitor switching contactor model table

Spec.	Auxiliary contact		Contact mark
	NO Normal Open	NC Normal Closed	
TGCC1-25、32、43/11	1	1	13,14;31,32
TGCC1-25、32、43/20	2	-	13,14;33,34
TGCC1-25、32、43/02	-	2	21,22;31,32
TGCC1-63/21	2	1	13,14;33,34;21,22
TGCC1-63/12	1	2	13,14;21,22;31,32
TGCC1-95/21	2	1	13,14;33,34;21,22
TGCC1-95/12	1	2	13,14;21,22;31,32



## TGCC1 Series Capacitor Switching Contactor

### 3 Technical Parameters

Operating characteristics:

Pull-in voltage: 85%  $U_s$  ~ 110%  $U_s$ ;

Release voltage: 20%  $U_s$  ~ 75%  $U_s$ ;

Rated control power voltage of coil,  $U_s$ :

AC: (50Hz) 110V, 220V, 380V, 400V, 415V; (50Hz/60 Hz) 110V, 220V, 380V, 400V, 415V;

Model		TGCC1-25	TGCC1-32	TGCC1-43	TGCC1-63	TGCC1-95
Rated insulation voltage $U_i$ (V)		690				
Rated withstand impulse voltage $U_i$ (kV)		6				
Rated working current (AC-6b) $I_e$ (V)		17	29	36	43	73
Rated working voltage $U_e$ (V)		220V/230V、380V/400V、660V/690V				
Free air resistive current $I_{th}$ (A)		25	32	43	63	95
Controllable capacitor capacity $Q_e$ kvar	220V/230V	7	10	15	20	35
	380V/400V	12	20	25	30	50
	660V/690V	18	26	36	48	92
Inrush current suppression capacity		20 $I_e$				
Operating frequency Times / h		300				120
Electrical life (10,000 times)		15				12
Mechanical life (10,000 times)		100				
AC coil power	50Hz	Pull-in (VA)	70		200	250
		Hold (VA)	6 ~ 8		13 ~ 20	23 ~ 30
		Power (W)	1 ~ 3		4 ~ 8	6 ~ 10
Auxiliary contact		AC-15:360VA DC-13:33W $I_{th}$ :10A				

### 4 Operating Conditions

4.1 Ambient temperature: Working temperature limit: -35°C~+70°C; normal working temperature: -5°C~+40°C; the average value within 24 hours does not exceed +35°C;

4.2 Installation conditions: The inclination between the mounting surface and the vertical surface is not greater than  $\pm 22.5^\circ$ , and the installation category is Class III;

4.3 Pollution degree: 3

4.4 Altitude: Not more than 2,000 meters

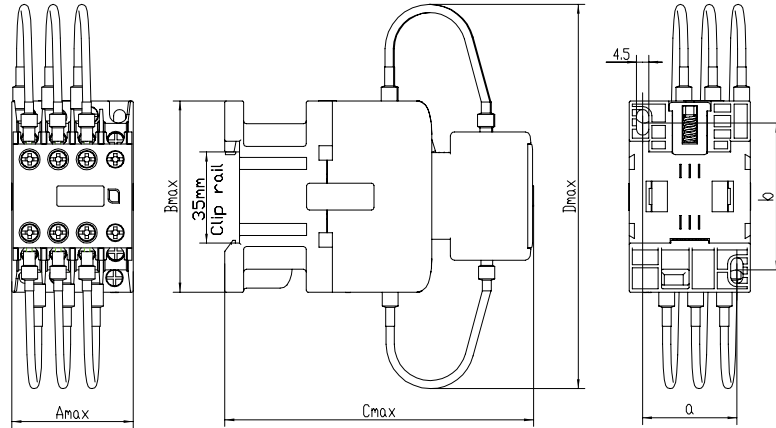
4.5 Atmospheric conditions: When the maximum temperature is +70°C, the relative humidity of the air does not exceed 50%. Higher relative humidity is allowed at lower temperatures; for example, up to 90% at 20°C. Special measures should be taken for condensations occurred occasionally due to temperature changes;

4.6 The product should be installed and used in a place where there is no obvious shaking, impact or vibration.

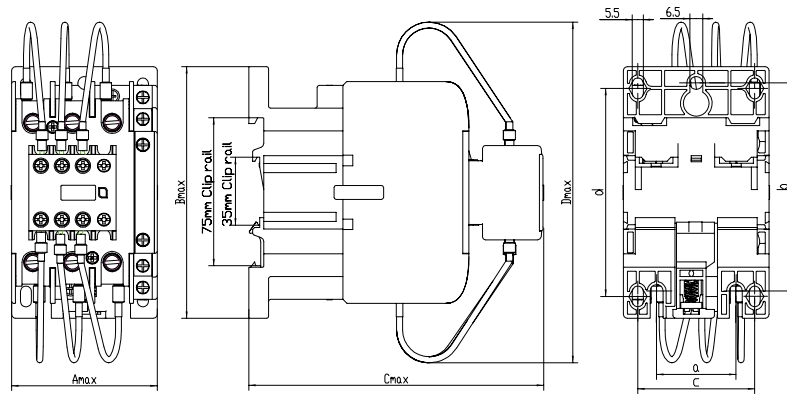
## TGCC1 Series Capacitor Switching Contactor

### 5 Outline and Installation Dimensions

#### 5.1 Contactor outline and installation dimensions



TGCC1-25 ~ 43 Contactor outline and installation dimensions



TGCC1-63 ~ 95 contactor outline and installation dimensions

Unit: mm

Model	Amax	Bmax	Cmax	Dmax	a	b	c	d
TGCC1-25	45	71	115	153	35	50/60	-	-
TGCC1-32	56	82.5	129	158	35	48.2/73.5	-	-
TGCC1-43	56	82.5	129	158	40	48.2/73.5	-	-
TGCC1-63	73.5	127	149	196	40	100/110	59	100/110
TGCC1-95	84.5	126.5	155	240	40	100/110	64	102/111

It is recommended to select SCPD and its fuse model according to type 1 coordinated protection

Model & Spec.	TGCC1-25	TGCC1-32	TGCC1-43	TGCC1-63	TGCC1-95
Coordinated by main circuit	RT16-00 25A	RT16-00 40A	RT16-00 50A	RT16-00 80A	RT16-00 125A
Fuse model					
Coordinated by auxiliary circuit	RT16-00 10A				
Fuse model					

## TGCC1 Series Capacitor Switching Contactor

### 5.2 Recommended wire cross-section and tightening torque of the terminal

Model & Spec.	TGCC1-25	TGCC1-32	TGCC1-43	TGCC1-63	TGCC1-95
Coordinated by main circuit					
Flexible wire without terminal mm <sup>2</sup>	1 wire	1-4	1.5-10	4-25	6-50
	2 wires	1-4	1.5-6	4-16	6-25
Flexible wire with terminal mm <sup>2</sup>	1 wire	1-4	1-6	4-25	6-50
	2 wires	1-2.5	1-4	4-10	6-16
Hard wire without terminal mm <sup>2</sup>	1 wire	1-4	1.5-6	4-25	6-50
	2 wires	1-4	1.5-6	4-10	6-25
Tightening torque N.m		1.2	1.8	5	9
Control and auxiliary circuit wiring					
Flexible wire without terminal mm <sup>2</sup>	1 wire	1-4			
	2 wires				
Flexible wire with terminal mm <sup>2</sup>	1 wire	1-2.5			
	2 wires				
Hard wire without terminal mm <sup>2</sup>	1 wire	1-4			
	2 wires				
Tightening torque N.m		1.2			

## 6 Structure Features

- The contactor is a direct-acting double break point, and the contact system is arranged in two upper and lower layers, and there are three pairs of current limiting resistances on the upper layer to form an inrush current suppression device. After power-on, the contactor is first powered on and then the work contact is powered on after a few milliseconds, and permanent magnet in the current-limiting contact is released under the reaction of the spring to disconnect the current-limiting resistance allowing that the capacitor works normally.
- The contactor features with small size, light weight, low power consumption, long life, safety, and reliability.
- In addition to the mounting screws, TGCC1-25 ~ 43 can be mounted with 35mm standard rails, and TGCC1-63 ~ 95 can be installed with 35mm or 75mm standard rails.

## 7 Installation, operation and maintenance

- Before installation, check whether the technical data (such as rated voltage and rated current) on the coil is consistent with the power supply. Please note that the two wiring marks A2 at different terminal indicate the same contact, and A1 and any of A2s can be selected when wiring.
- The installation shall comply with the specified installation conditions, and the wiring terminal A1 of the coil shall face upwards in line with human visual habits. If multi-stranded wires are used when wiring TGCC1-63~95 products, a wiring terminal shall be provided.
- Note the terminal marks when wiring: 1/L1, 3/L2, and 5/L3 are main circuit incoming terminals, and 2/T1, 4/T2, and 6/T3 are main circuit outgoing terminals; 21, 22 and 31, 32 are normal closed auxiliary terminals, and 13, 14 and 33, 34 are normal open auxiliary terminals.
- After installation, the resistance wires between the phases must be separately if tangled, and arranged to prevent the terminal from breakage.
- Tighten the wiring screws. After check that the wiring is correct, power on and off the coil with rated control power voltage several times with non-live main contact. The product can be put into operation only after all test actions are correct.
- When the capacitor is closing, if the inrush current is too large out of the suppression capacity of this contactor, the resistance may be burned out. At this time, the resistance can be replaced for further use.

## TGCC1 Series Capacitor Switching Contactor

- 7.7 The insulation voltage of the electrical appliance selected in the discharge device in the reactive power compensation equipment should be greater than  $2U_e$  to avoid damage to the contactor due to the failure of discharge device.
- 7.8 Please note that this contactor cannot be used for jogging, otherwise the resistance wire will burn out.
- 7.9 Please tighten the terminals regularly and remove the deposited dust from the contactor.
- 7.10 No foreign objects fall into the product.

### 8 Ordering Notice

- 8.1 Please specify the following contents when ordering:
  - Complete name and model of contactor.
  - Rated control power voltage and frequency of the coil.
  - Order quantity.
- 8.2 Order example:
  - TGCC1-2511 capacitor switching contactor coil voltage 220V 50Hz 10 sets.